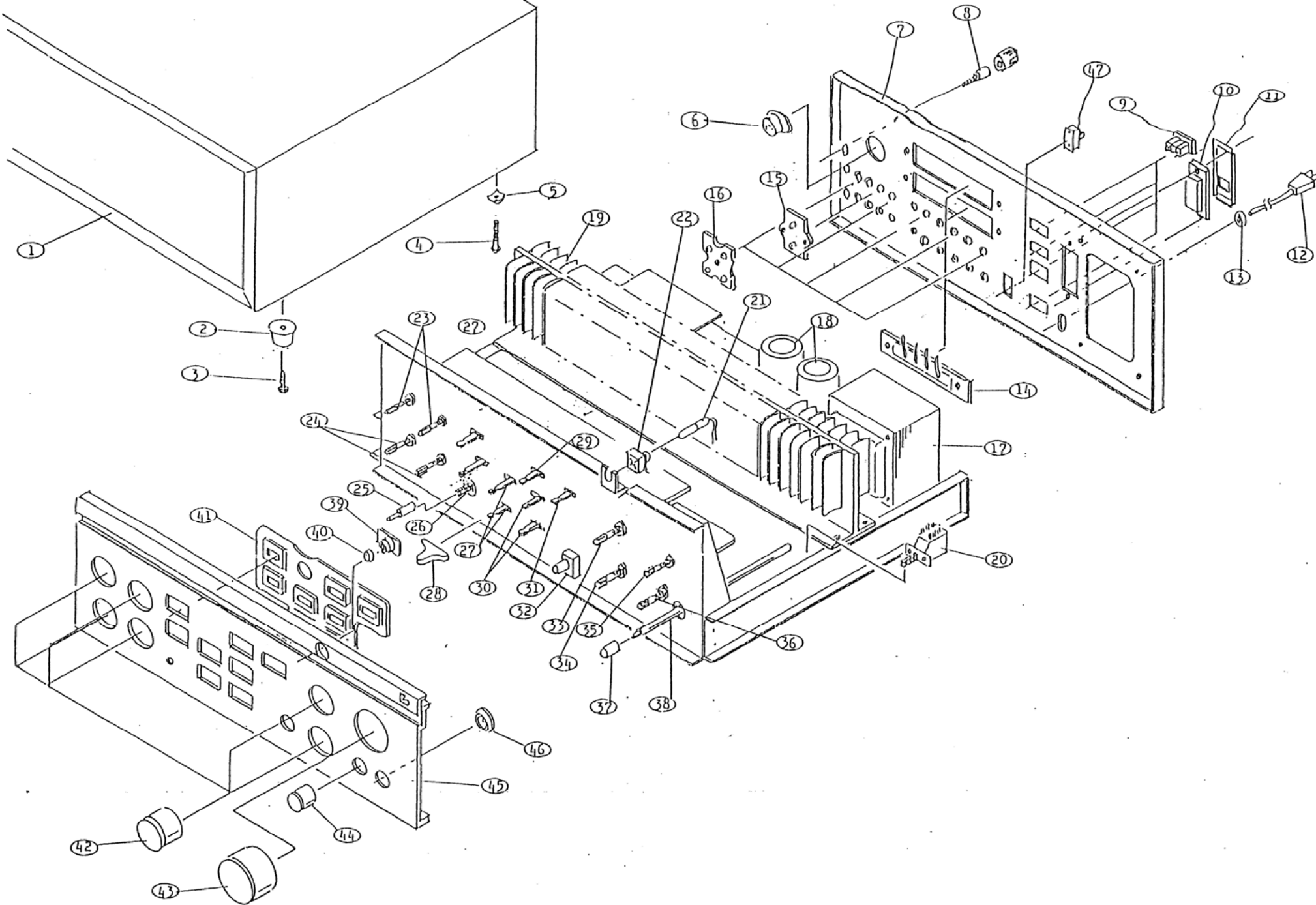


# **SERVICE MANUAL**

**LUXMAN**



Exploded View Parts List  
Model : L-55A

Symbol No.	Stock No.	Description	Q'ty	
1	WB1070	Wooden Case (E,J)	1	
	WB1089	Wooden Case (A)	1	
	WB1005A	Ventilation (A)	4	
	WN1018	Foot	4	
3	YCG38A25	Screw, M3.8x25	4	
4	YAA40A25	Screw, M4x25	8	
5	UR1125	Bkt.	8	
6	AS0002	Socket, Din	1	
7	UC1141	Rear, Panel (L-55A)(J,U)	1	
	UC1142	Rear, Panel (L-55A)(S)	1	
	UC1143	Rear, Panel (L-55A)(E,A)	1	
	UC1136	Rear, Panel (L-58A)(J,U)	1	
	UC1137	Rear, Panel (L-58A)(S)	1	
	UC1138	Rear, Panel (L-58A)(E,A)	1	
	8	AG0110	Terminal, GND	1
	9	AC0010	AC Outlet (A,E)	4
AC0051		AC Outlet (U,J)	4	
10	AC0013	Socket, Voltage (A,E)	1	
	AC0014	Plug, Voltage (A,E)	1	
11	UJ1066	Cover (A,E)	1	
12	BK0019	AC Cord (AZ,EZ)	1	
	BK0023	AC Cord (AG)	1	
	BK0029	AC Cord (AK,EK)	1	
	BK0048	AC Cord (J)	1	
13	BU0033	Bush, Cord (AZ,EZ)	1	
	BU0039	Bush, Cord (AK,EK,AG)	1	
	BU0080	Bush, Cord (J)	1	
14	AT0110	Terminal, SP	2	
15	AT0128	Pin Jack, 2P	1	
16	AT0127	Pin Jack, 4P	5	
17	PT2387	Trans, Power (L-58A)(J)	1	
	PT2426	Trans, Power (L-58A)(A,E)	1	
	PT2396	Trans, Power (L-55A)(J)	1	
	PT2425	Trans, Power (L-55A)(A,E)	1	
18	CE1447	Cap, 63V 10,000uF (L-55A)	1	
	CE1447A	Cap, 63V 10,000uF (L-55A)	1	
	CE1445	Cap, 80V 10,000uF (L-58A)	1	
	CE1445A	Cap, 80V 10,000uF (L-58A)	1	

Symbol No.	Stock No.	Description	Q'ty
19	BE1071	Heatsink (L-55A)	1
	BE1070	Heatsink (L-58A)	1
20	SP0063	SW, Power (J)	1
	SP0090	SW, Power (A,E)	1
21	AL0039	Lamp	1
22	WZ0002	Holder, Lamp	1
23	RV0233	VR, 50KBx2 (Tone)	2
24	SRO128	SW, Rotary (Tone)	2
25	WJ1127	Knob	1
26	SP0129	SW, Push SUF12	1
27	SL0050	SW, Lever	4
28	WJ1121	Knob	8
29	SL0051	SW, Lever	1
30	SL0052	SW, Lever	2
31	SL0053	SW, Lever	1
32	AJ0014	Jack HD	1
33	SRO125	SW, Rotary	1
34	SRO126	SW, Rotary	1
35	RV0256	VR, 60Kx2 (Volume)	1
36	RV0231	VR, 250KMN (Balance)	1
37	WJ1125	Knob, Power	1
38	UZ1166	Shaft	1
39	WG1011	Pilot	1
40	WG1004	Pilot	1
41	WD1128	Escutcheon	1
42	WH1097	Knob	6
43	WH1096	Knob (Volume)	1
44	WH1098	Knob (Balance)	1
45	WA1172	Front Panel(L-55A)	1
	WA1170	Front Panel(L-58A)	1
46	WE1051	Protector	1
47	SS0014	SW, Slide	1
*	ME0130	Owner's Manual(L-55A)(EX)	1
*	MA0114	Owner's Manual(L-55A)(J)	1
*	ME0125	Owner's Manual(L-58A)(EX)	1
*	MA0109	Owner's Manual(L-58A)(J)	1

